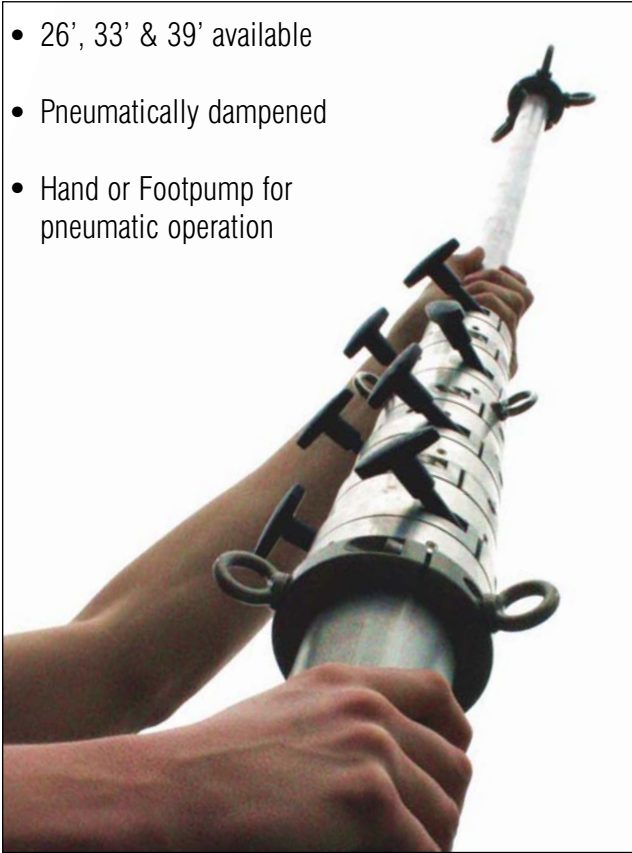




TPM Lightweight Push Up Mast

- 26', 33' & 39' available
- Pneumatically dampened
- Hand or Footpump for pneumatic operation



The TPM push up mast is a lightweight version of the Pneumatic Hilomast. It has been designed so that it can be used as either a hand operated push up mast or pneumatically assisted mast. Deployment of the pneumatic version can be carried out by either using a footpump, or one of the available compressors in our range.

Mast	Height Extended	Height Retracted	Vertical Headload	Max. Wind Speed Unguyed	Max. Wind Speed With Top Guys	R1 * (fig.1)
	(ft)	(ft)	(lbs)	(mph)	(mph)	(ft)
TPM 8	26'	5'	22	N/A	27	13.1
TPM 10	33'	5' 6"	18.7	N/A	33	16.4
TPM 12	39'	6' 6"	15	N/A	25	19.6

*For R1 please refer to fig.1

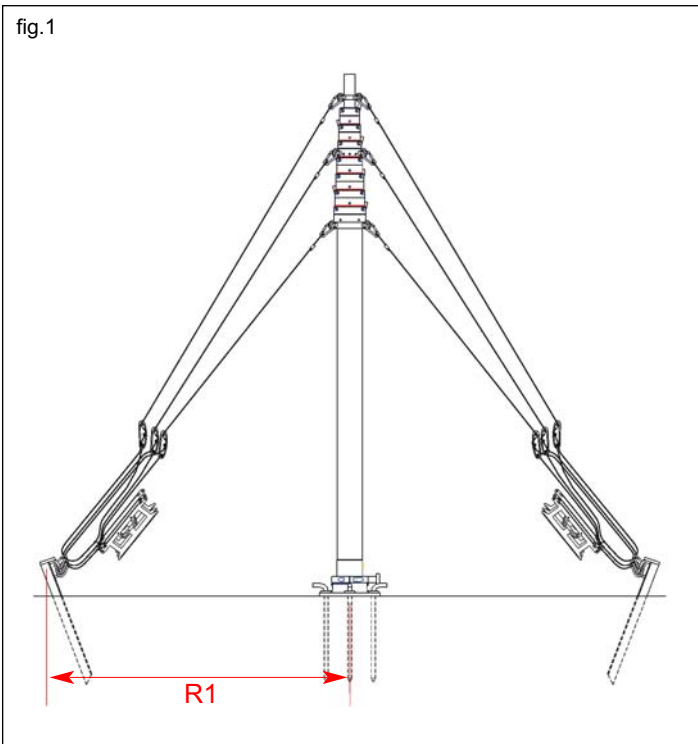
The wind speeds shown are based on the following side surface area: 1 Feet²

There are several mounting arrangements available for the installation of this mast. They can be mounted either internally or externally to a vehicle or building. For erecting masts on open ground, base guy assemblies are available, which are best suited for green-field mounting. A rapid deployment unit (RDU) is available for all sizes of TPM masts, which can be held under the wheel of a vehicle.

Options & Accessories

Guying Distance (fig.1)

fig.1



	TPM 8	TPM 10	TPM 12
Side Mounting	NSM/74	NSM/74	NSM/74
Base Guy Assy	NBG/TPM-8	NBG/TPM-10	NBG/TPM-12
Pivot Mount Guy Assy w/Stakes	NBG/TPM/P MB	NBG/TPM/P MB	NBG/TPM/P MB
RDU	RDU/TPM-8	RDU/TPM-10	RDU/TPM-12
Top Guy w/Stakes	NUG/TPM/8	NUG/TPM/10	NUG/TPM/12
Military Style Push Up w/Spigot	TPM8/16	TPM10/16	TPM12/16
Military Style Pneumatic w/Spigot	TPM8/PN/16	TPM10/PN/16	TPM12/PN/16
Foot Pump	NFP1	NFP1	NFP1
Air Supply	NC1	NC1	NC1

